





# Hygienic Cable Glands, EMC Stainless Steel



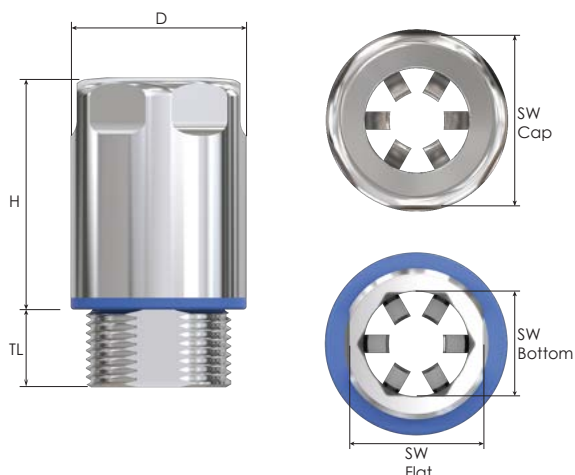
## EMC cable glands for hygienic requirements

- For EMC applications in manufacturing and packaging of food and pharmaceuticals, cleanroom technology, biotechnology, chemical industry.
- Long-lasting contact by high definition contact spring.
- Smooth finish prevents harmful microorganisms from adhere on the surface.
- No threads are exposed.
- Seal material according to FDA guideline 21 CFR 177.2600.
- Cleaning of cable glands is easier, faster and less expensive.
- Reliable strain relief due to strain relief element separated from the grommet.
- Suitable for high-pressure steam cleaning.
- EMC locknut included.

Technical Details		
Material	Body and Cap	Stainless Steel 1.4305(AISI 303)
	Locknut	Stainless Steel 1.4305(AISI 303)
	Contact Spring	Special Copper Alloy
	Seal	EPDM, according to FDA guideline 21 CFR 177.2600
Ingress Protection Rating	IP 68 - 5 Bar, 30 min	
	IP 69	
	IP 66	
UL Environmental Rating	TYPE 1, 2, 4, 4X, 12, 12K, 13 acc. to UL 50E	
Operating Temperature	Permanent	-20 °C to +100 °C
	Intermittent	-40 °C to +150 °C
Cable Type	Shielded	
Thread Type	<ul style="list-style-type: none"> <li>• Metric EN 60423</li> <li>• NPT ANSI B1.20.1</li> </ul>	
Accessories	<ul style="list-style-type: none"> <li>• Hygienic cable gland adapters</li> <li>• Manufactured according to DIN EN 62444/50262.</li> <li>• We recommend the use of locknuts to ensure IP rating for rough surfaces or through holes.</li> <li>• Accessories must be ordered separately.</li> <li>• Other steel grades on request.</li> </ul>	
Remarks		
Approvals	Certificate Number	Standards
	4001820	DIN EN 62444
	E199260	UL514B CSA22.2 No 18.3-12 CSA22.2 No 94.2-1S UL50E
	TAE00003WY	EN 62444
	C0489629	NSF/ANSI 169 NSF/ANSI/3-A 14159-1

For details of approvals, see our website.





\*Locknut is included. Not shown in the drawings.

## Hygienic Cable Glands, EMC Stainless Steel

Thread Type <b>METRIC</b> acc. to EN 60423										
Outer Thread Size (Male)	Clamping Range Ø min. – max. mm	Shield Diameter Ø min. – max. mm	Outer Thread Length TL mm	Spanner Width Flat		Allen Screw SW Bottom mm	Outer Ø D mm	max. Height H mm	Spanner Width Locknut	
				SW Cap mm	SW Flat mm				SW mm	SW mm
M16x1,5	5,0 - 10,0	4,0 - 9,0	7,0	18	13	10	20,2	32,5	19	BMEHG1-01-L
M20x1,5	6,0 - 12,0	5,0 - 11,0	8,0	22	17	13	24,1	35,5	24	BMEHG1-02-L
M25x1,5	12,0 - 17,0	10,0 - 16,0	10,0	28	22	17	30,1	41,0	30	BMEHG1-03-L

Thread Type <b>NPT</b> acc. to ANSI ASME B1.20.1										
Outer Thread Size (Male)	Clamping Range Ø min. – max. mm	Shield Diameter Ø min. – max. mm	Outer Thread Length TL mm	Spanner Width Flat		Allen Screw SW Bottom mm	Outer Ø D mm	max. Height H mm	Spanner Width Locknut	
				SW Cap mm	SW Flat mm				SW mm	SW mm
NPT 3/8"	5,0 - 10,0	4,0 - 9,0	10,0	22	13	10	24,1	33,0	22	BNEHG1-01-L
NPT 1/2"	6,0 - 12,0	5,0 - 11,0	11,0	28	17	13	30,1	36,0	24	BNEHG1-02-L
NPT 3/4"	12,0 - 17,0	10,0 - 16,0	12,0	35	22	17	38,0	41,5	30	BNEHG1-03-L

### Hygienic Cable Gland Adapters

• To reduce Allen screw SW Bottom to Allen screw SW a.

#### Technical Details

Material: Stainless Steel 1.4305(AISI 303)

#### Adapters

For Gland Size	Allen Screw SW a mm	Part Number
M16, NPT 3/8"	6	BMFGT-02
M20, NPT 1/2"	8	BMFGT-03
M25, NPT 3/4"	10	BMFGT-04

